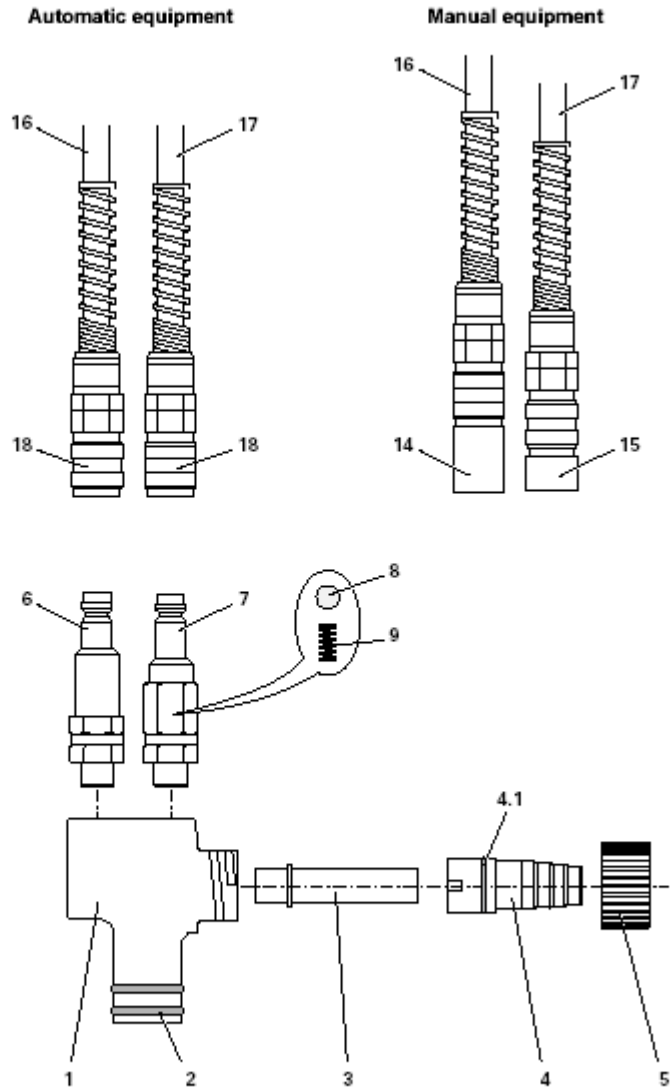


# PIESE DE SCHIMB INJECTOR OptiFlow IG02



## **Injector OptiFlow tip IG02**

---

<b>Injector OptiFlow tip IG02- complet,inclusiv pozitiile1-9</b>	<b>391 530</b>
<b>1. Corp injector (fara pozitia 2)</b>	<b>1000 132</b>
<b>2. Garnitura O-ring – Ø 16x2mm</b>	<b>231 517#</b>
<b>3. Racord teflon</b>	<b>377 724#</b>
<b>4. Racord furtun (complet incl. poz. 4.1</b>	<b>387 827</b>
<b>4.1. Garnitura Ø 15x1mm</b>	<b>266 930#</b>
<b>5. Manson filetat</b>	<b>387 819</b>
<b>6. Supapa de sens pt.aer de transport-rosu(incl.poz.8, 9)</b>	<b>261 211</b>
<b>7. Supapa de sens pt.aer suplimentar-negru (incl.poz.8, 9)</b>	<b>261 203</b>
<b>8. Bila</b>	<b>240 168</b>
<b>9. Arc</b>	<b>240176</b>
<b>14. Racord rapid pt. furtunul de aer de transport-rosu Ø8/6mm</b>	<b>261 645</b>
<b>15. Racord rapid pt. furtunul de aer de transport-rosu Ø8/6mm</b>	<b>261 637</b>
<b>16. Furtun pt. aer de transport -rosu-Ø8/6mm</b>	<b>103 500*</b>
<b>17. Furtun pt. aer suplimentar -negru-Ø8/6mm</b>	<b>103 756*</b>
<b>18. Racord rapid pt. furtun de Ø8/6mm</b>	<b>203 181</b>
<b>Furtun de pulbere 1004-Ø16/11mm (standard)</b>	<b>103 128*</b>
<b>Furtun de pulbere 1005-Ø20/12mm</b>	<b>100 080*</b>

**# Piese de uzura**

**\* Specificati lungimea**